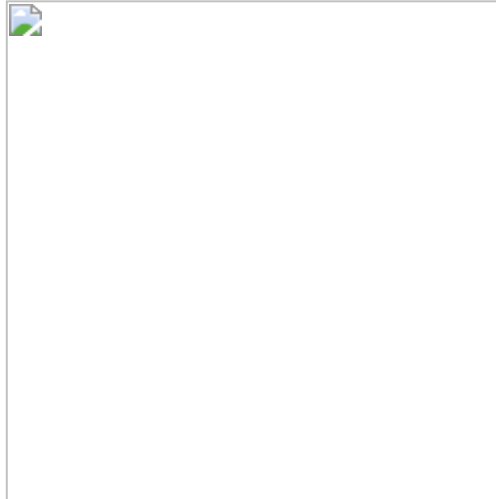


# DONUT TRIMLESS

Product Images

## APPLICATION AREAS:

Office  
buildings, Retail, Supermarkets, Hospitality, Libera



## TECHNICAL SPECIFICATIONS

### PRODUCT REFERENCE

<b>ITEM CODE</b>	DONUT TRIMLESS 30 600
<b>ENVIRONMENT</b>	Indoor
<b>INSTALLATION</b>	Recessed

### CONSTRUCTION AND MATERIALS

<b>SIZE OUT SIDE MM</b>	600 Dia x 90
<b>CUT OUT SIZE (MM)</b>	-
<b>HOUSING</b>	Extruded Aluminium
<b>LENS / DIFFUSER</b>	High Transmission PMMA
<b>REFLECTOR</b>	N/A
<b>SURFACE FINISH</b>	White/Black/Custom Powder Coated

### THERMAL MANAGEMENT

<b>HEAT SINK MATERIAL</b>	Aluminium
<b>COOLING TECHNIQUE</b>	Passive

### OPTICAL SYSTEM

<b>BEAM ANGLE</b>	110°
<b>ILLUMINATION MODE</b>	Direct Lighting
<b>SWIVEL</b>	No

## LIGHT TECHNOLOGY

<b>LED FITTED</b>	Bridgelux
<b>DELIVERED LUMENS</b>	3000 / 2850 / 2700
<b>CCT (K)</b>	6000 / 4000 / 3000
<b>Tunable</b>	On Request
<b>LED BINNING</b>	3 Step MacAdam
<b>CRI (Ra)</b>	80 / 90
<b>LED LIFE L70</b>	45,000 HRS
<b>LUMINAIRE</b>	4200 / 4050 / 3900
<b>LUMINOUS FLUX</b>	
<b>LUMINOUS EFFICACY</b>	100 Lumens / Watt

## ELECTRICAL SYSTEM

<b>(UGR)</b>	<22
<b>INPUT VOLTAGE</b>	220 TO 240 Vac
<b>INPUT POWER</b>	30W
<b>POWER FACTOR</b>	>0.95
<b>THD</b>	<10%
<b>CONTROL GEAR</b>	Remote
<b>MOUNTING</b>	
<b>DRIVER PROTECTION</b>	OVP, Short Circuit, Surge
<b>DIMMING</b>	Phase / Analog / Dali / RF / APP
<b>EMERGENCY BATTERY BACKUP</b>	On Request

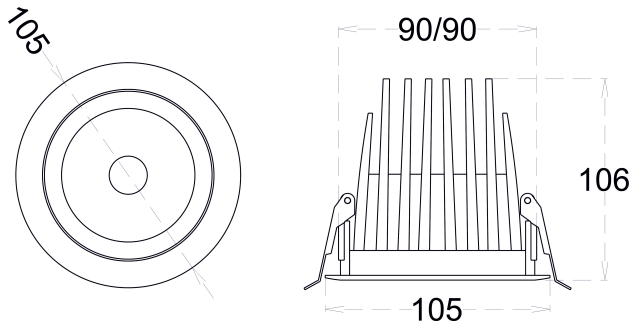
## PACKAGING DETAILS

**PACKING QTY** 2

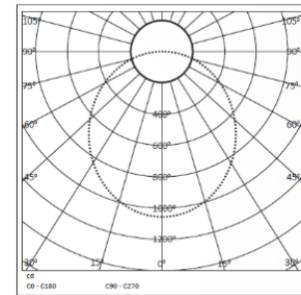
**GROSS WEIGHT**

**CARTOON SIZE** 25.5"x25.5"x7.5"  
**(LXBXH)**

### DIMENSIONS



### PHOTOMETRIC



## **ARCADE LIGHTING INDUSTRIES PVT LTD**

8 Raju industrial estate, Penkar pada, Near  
dahisar check naka, Mira road 401107

**NOTE :** The technical data sheet with design registration stamp is the property of Arcade Lighting India Pvt. Ltd. & protected under Intellectual Property law, and it is restricted for sharing with other lighting suppliers

Technical parameters are subjected to change time to time in order to improve product performance and reliability  
BP-RV00 AR/FRT/TEC/TDS/01