



SPECIFICATION SHEET : T12401000-36E

This Is An Original Product From Fulham (India) Pvt. Ltd.

Description: 36W Constant Current LED Driver, Single Channel, 18-36V, 1A (Non Dimmable)

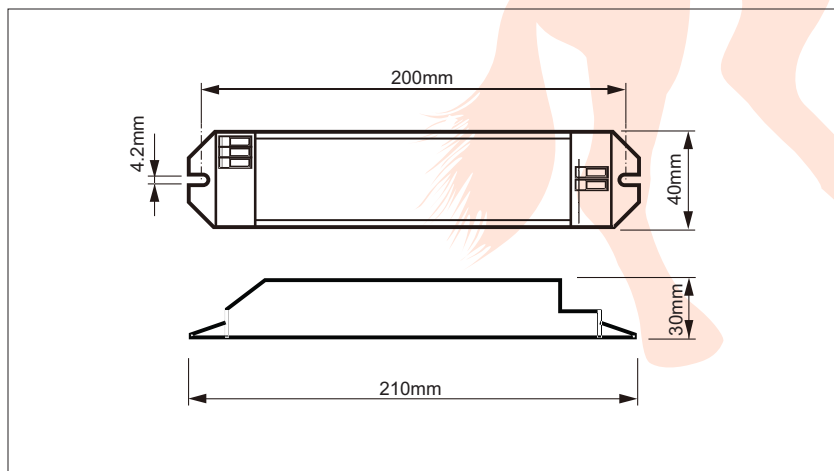
This Driver Will Operate The Following LED Modules:

Any LED module designed to accept constant current input of 1000mA and a voltage of 18-36VDC.

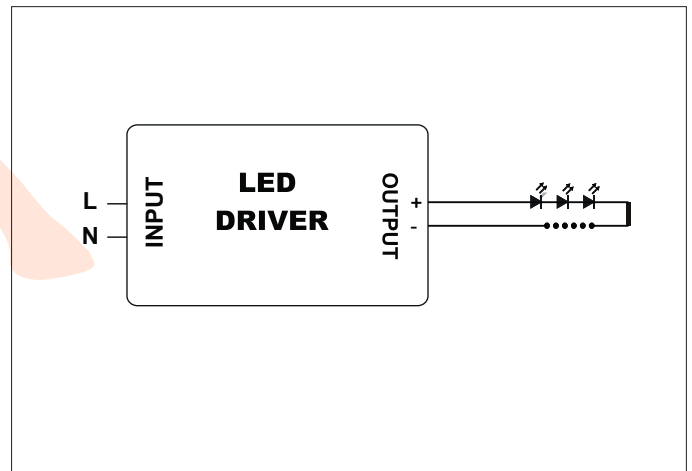
ELECTRICAL DATA

RATED MAINS VOLTAGE	240 Vac
OPERATING VOLTAGE RANGE	130Vac~277Vac, 50/60Hz
INPUT CURRENT (MAX)	0.19A
POWER FACTOR	> 0.98
Athd	< 20%
EFFICIENCY	>85
CONSTANT CURRENT, VOLTAGE OR POWER	Constant Current
OUTPUT CURRENT	1A
OUTPUT VOLTAGE	18~36 Vdc
OUTPUT WATTAGE	36W (Max)
NUMBER OF OUTPUT CHANNELS	1
EMI	N.A.
SURGE PROTECTION	Yes
CURRENT PROTECTION	Yes
OVER VOLTAGE APPLICATION, MAINS SIDE	Yes
OUTPUT SHORT CIRCUIT PROTECTION	Yes
OUTPUT OPEN CIRCUIT PROTECTION	Yes
OUTPUT TO GROUND SHORT PROTECTION	Yes
OVERLOAD PROTECTION	Yes
DIMMING CONTROLLER TYPE	N.A.
DIMMING RANGE	N.A.
MAX CASE HOT SPOT TEMPERATURE	75°C
MIN OPERATING TEMPERATURE	-10°C
MAX OPERATING TEMPERATURE	50°C
APPROVALS CLASS	SELV Equivalent

MECHANICAL DATA



WIRING DIAGRAMS



This is an original product from Fulham(India) Pvt. Ltd. Due to program of continuous improvement, Fulham (India) Pvt. Ltd. Reserves the right to make any variation in design or construction of the product described. Address : 01, Sukhada, Sir Pochkhanwala Road, Worli, Mumbai.

Tel:+91 22 66388775-7,email:john@fulham.com